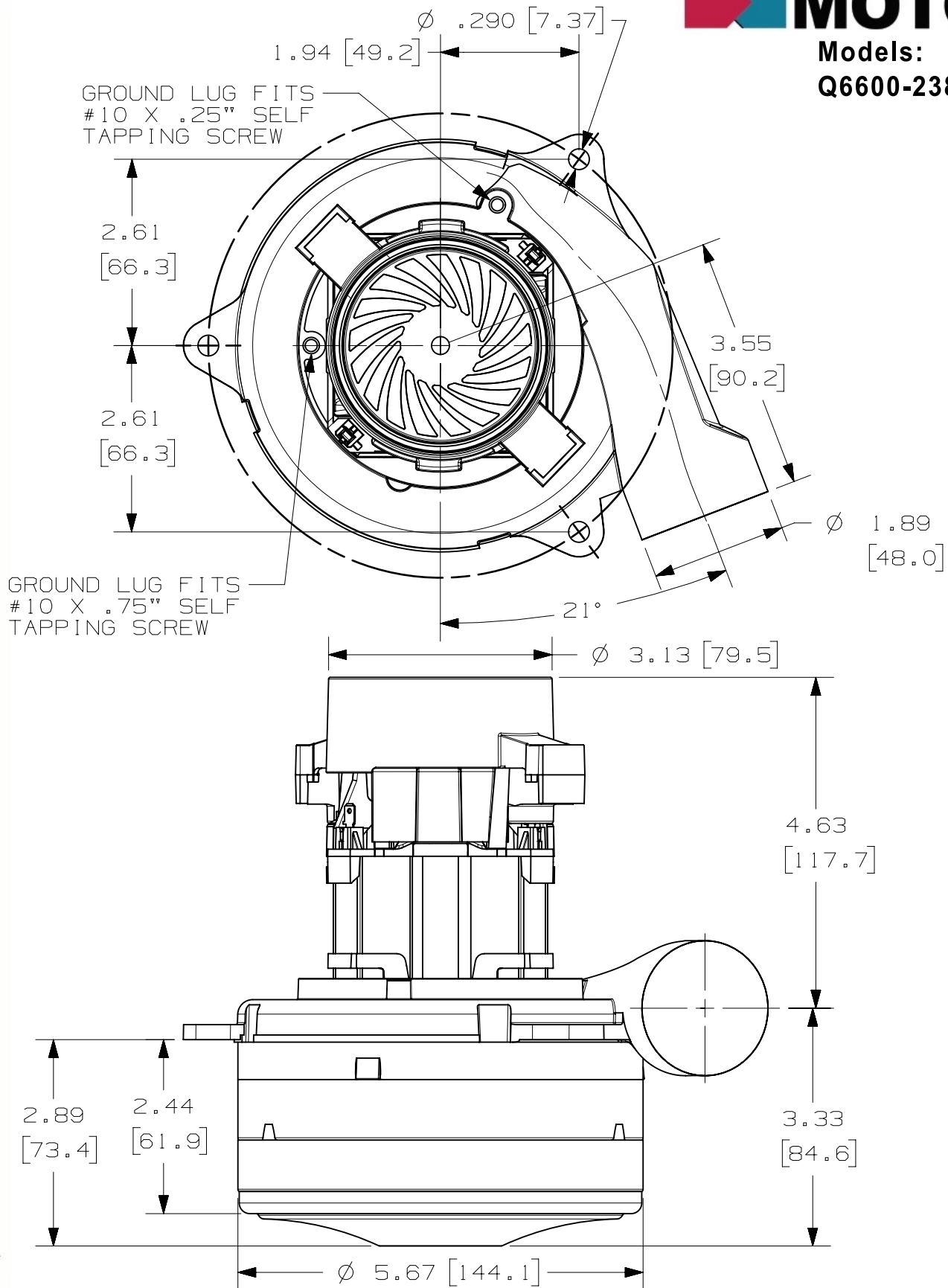


Models:  
Q6600-238A



NOTE: Dimensions are for reference only and subject to change.  
Tolerances of up to  $\pm 0.040$ " (1.0mm) can be expected.